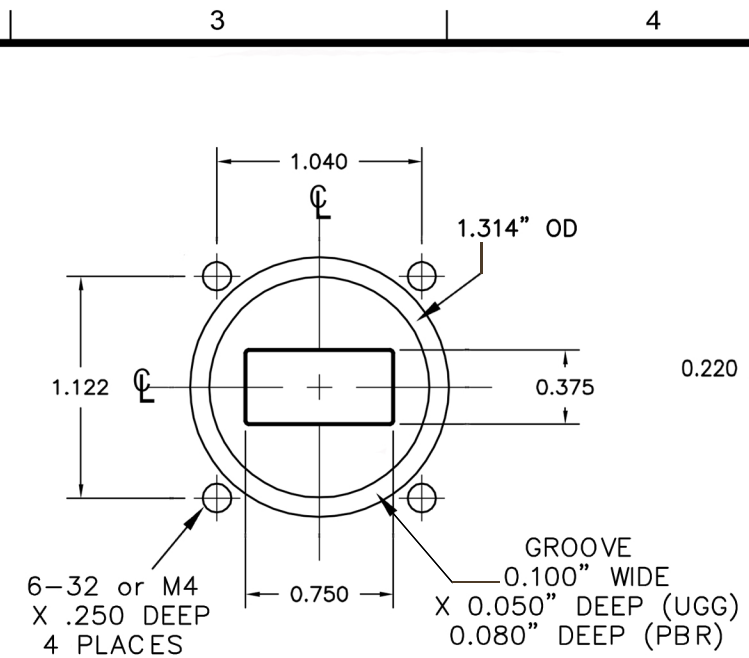
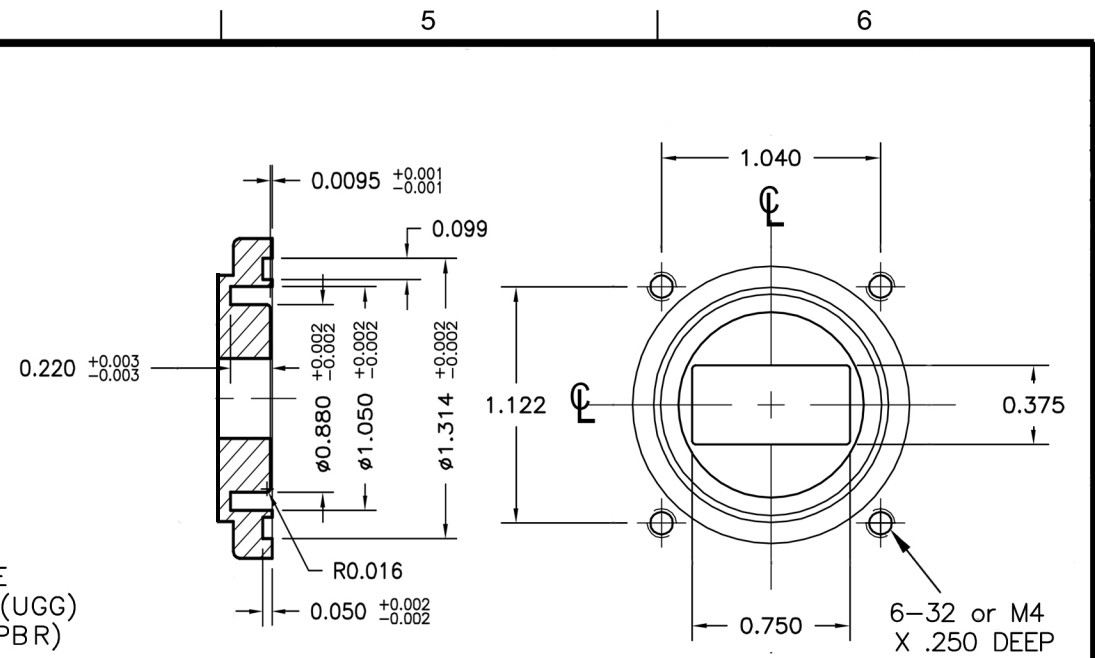


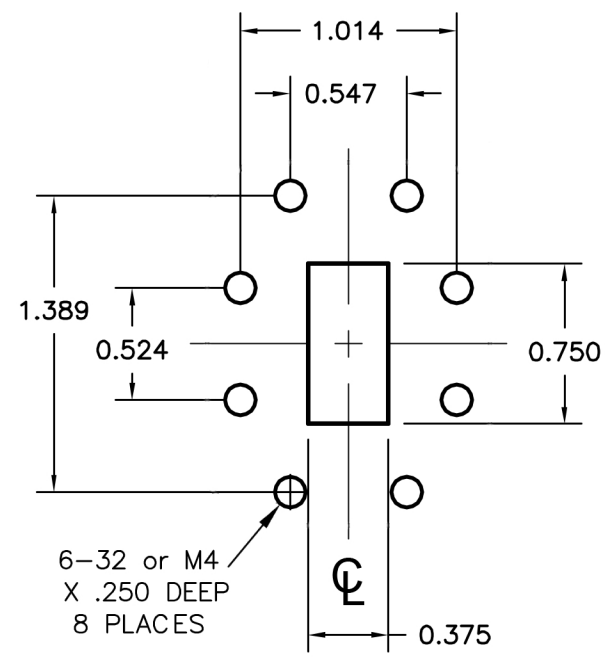
WR75 COVER FLANGE (UGF or UBR)
ORDER CODE: AST75F or AST75FM (METRIC)



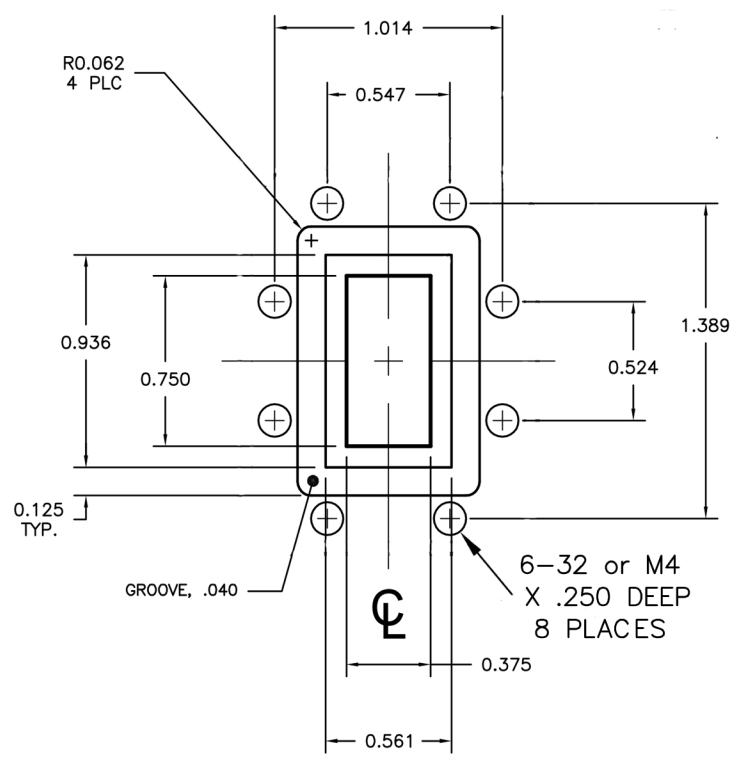
WR75 GROOVED FLANGE (UGG or PBR)
ORDER CODE: AST750 or AST750M (METRIC)



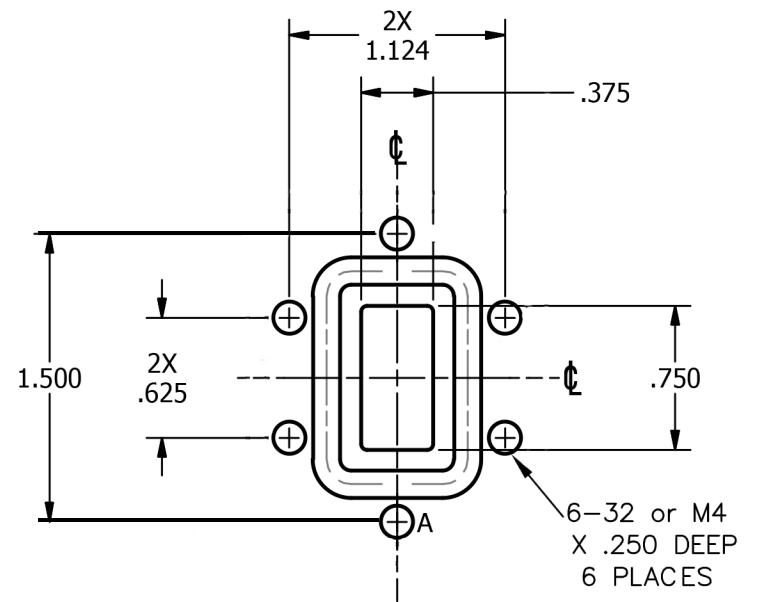
WR75 CHOKE FLANGE
ORDER CODE: AST75K or AST75KM (METRIC)



WR75 CPR FLANGE (CPRF or CPRFM)
ORDER CODE: AST75R or AST75RM (METRIC)



WR75 CPR GROOVED FLANGE (CPRG or CPRGM)
ORDER CODE: AST75G or AST75GM (METRIC)



WR75 PDR FLANGE (PDR or PDRM)
ORDER CODE: AST75P or AST75PM (METRIC)

REVISIONS		APPROVALS			
SYM	DESCRIPTION	DATE	ENGRG	PROD	Q.A.

PROPRIETARY INFORMATION
THIS DOCUMENT CONTAINS PROPRIETARY INFORMATION WHICH SHALL NOT BE REPRODUCED, TRANSFERRED TO OTHER DOCUMENTS, DISCLOSED TO OTHERS, USED FOR MANUFACTURING OR ANY OTHER PURPOSE WITHOUT PRIOR WRITTEN PERMISSION FROM AST.

BREAK ALL CORNERS AND SHARP EDGES

UNLESS OTHERWISE SPECIFIED	DRAWN	MC	05/27/2017
FRACTIONAL ± 1/32	CHECKER		
DECIMAL .XXX ± .010	MECH. ENGR.		
.XX ± .020	ELEC. ENGR.		
ANGULAR ± 1/2°	PROJ. ENGR.		
	CHIEF ENGR.		

WR75 FLANGES

SCALE

