

1

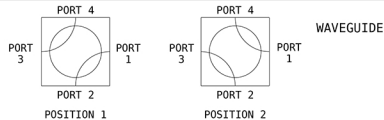
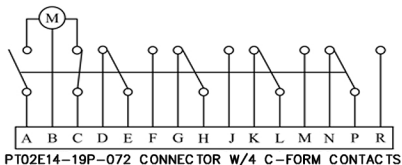
2

3

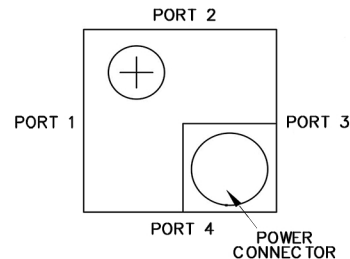
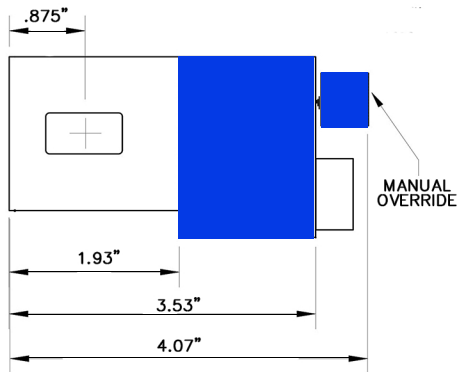
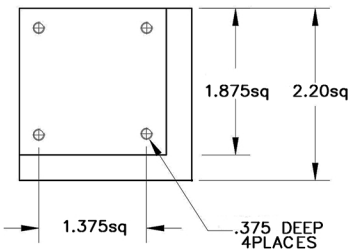
4

5

6



REVISIONS		APPROVALS			
SYM	DESCRIPTION	DATE	ENGRG	PROD	O. A.



1.0 ELECTRICAL

- 1.1 OPERATING FREQUENCY: 10.0 - 15.0 GHZ
- 1.2 RETURN LOSS: -28DB MIN
- 1.3 ISOLATION: 70DB MIN
- 1.4 INSERTION LOSS: .05DB MAX
- 1.5 POWER HANDLING: 5KW CW
- 1.6 DRIVING VOLTAGE: OPTIONAL
- 1.7 C-FORM CONTACTS: 4 IN STD UNIT
- 1.8 INHIBIT CONTACTS: OPTIONAL (OPEN BEFORE VSWR EXCEEDS 1.3:1)
- 1.9 SWITCHING TIME: 80 MSEC MAX
- 1.10 POWER CONNECTOR: PT02E14-19P-072

2.0 MECHANICAL

- 2.1 WAVEGUIDE SIZE: WR75
- 2.2 FLANGE: OPTIONAL
- 2.3 PRESSURE: 20 PSI (INCLUDING DRIVER)
- 2.4 MATERIAL: 80% ALUMINUM
- 2.5 FINISH: LUSTERON ON WAVEGUIDE, ANODIZE ON DRIVER
- 2.6 WEIGHT: .500 KG

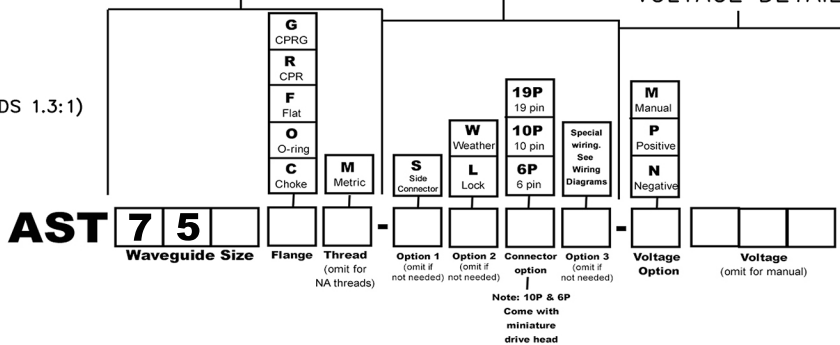
3.0 ENVIRONMENTAL

- 3.1 OPERATING TEMP: -40° TO +75° C
- 3.2 NON OPERATING TEMP: -50° TO +100° C
- 3.3 HUMIDITY: 100%
- 3.4 SHOCK & VIBRATION: STD SHIPPING

WAVEGUIDE DETAILS

DRIVER DETAILS

VOLTAGE DETAILS



BREAK ALL CORNERS AND SHARP EDGES

UNLESS OTHERWISE SPECIFIED	DRAWN	MC	05/21/2017
FRACTIONAL ± 1/32	CHECKER		
DECIMAL .XXX ± .010	ELEC. ENGR.		
ANGULAR .XX ± 1/2°	MECH. ENGR.		
	PROJ. ENGR.		
	CHIEF ENGR.		

PROPRIETARY INFORMATION  
 THIS DOCUMENT CONTAINS PROPRIETARY INFORMATION WHICH SHALL NOT BE REPRODUCED, TRANSFERRED TO OTHER DOCUMENTS, DISCLOSED TO OTHERS, USED FOR MANUFACTURING OR ANY OTHER PURPOSE WITHOUT PRIOR WRITTEN PERMISSION FROM AST.

<b>WAVEGUIDE SWITCH</b> <b>WR 75</b>	 <b>AST MICROWAVE</b> 754 Fortune Crescent Kingston, ON K7P 2T3, Canada 613-384-3939